



# INSTALLATION INSTRUCTIONS

## 360-SERIES

### PRODUCTS INCLUDE:

- (2) 360 Series Lights (4" or 6")  
or (1) 9" 360 Series Light
- Mounting hardware and Bracket
- Wiring Harness (only for 4" and 6")



### IMPORTANT

THANK YOU FOR PURCHASING RIGID INDUSTRIES' PRODUCTS FOR YOUR VEHICLE.

Please read through all of these Instructions and tips before proceeding with the installation. We do our best to provide a simple installation process for all applications however a professional installation is always recommended.

Always disconnect any power sources connected to your vehicle before servicing fuses or electrical systems.

### RGBW FUNCTIONALITY:

The 360-Series RGBW utilizes switch logic to change backlight colors. To choose from one of the 7 available backlight color options:

- Switch backlight on-off-on-off within less than 1 second
- Continue switching off and on until desired color is selected
- Once desired color is selected, keep back light on for more than 1 second to save color - backlight color is locked in until process is repeated

NOTE: The 360-Series RGBW lights contain a syncing function. Lights wired on the same circuit will sync together when color selection switch logic is initiated. **\*Lights in Demo mode will not sync together.**

Order of backlight options:

- Red • Green • Blue • Purple • White • Amber • Light blue • Demo mode

### WIRING LEADS



RED WIRE = PROJECTING TRIGGER

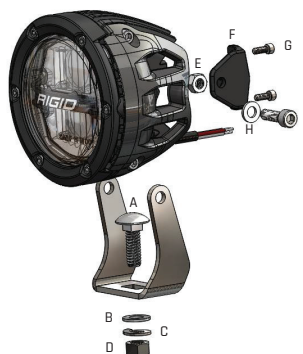
BLACK WIRE = GROUND

WHITE WIRE = BACK-LIGHTING TRIGGER

## MOUNTING INSTALLATION INSTRUCTIONS:

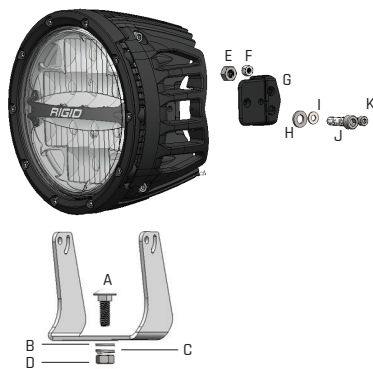
### 4" 360-SERIES ASSEMBLY DIAGRAM

A	M8x25mm Carriage Bolt	Place through bracket
B	M8 Flat Washer	Place on carriage bolt
C	M8 Lock Washer	Place on carriage bolt
D	M8 Nut	Tighten light to bracket
E	M6 Ny Lock Nut	Place in Heatsink
F	Mounting Bushing	Slide into Heatsink
G	6-32x.375" Socket Head	Tighten mount bushing to Heatsink
H	M6 Flat Washer	Place on item I prior to install
I	M6x22mm Socket Head	Tighten the bracket to the light (Torque 32in-lbs)



### 6" 360-SERIES ASSEMBLY DIAGRAM

A	M8x25mm Carriage Bolt	Place through bracket
B	M8 Flat Washer	Place on carriage bolt
C	M8 Lock Washer	Place on carriage bolt
D	M8 Nut	Tighten light to bracket
E	M6 Ny Lock Nut	Place in Heatsink
F	M4 Ny Lock Nut	Place into mounting bushing
G	Mounting Bushing	Slide into Heatsink
H	M6 Flat Washer	Place on J prior to install
I	M4 Flat Washer	Place on K prior to install
J	M6x22mm Socket Head	Tighten bracket to the light (Torque 32in-lbs)
K	M4x22mm Socket Head	Tighten the bracket to the light (Torque 9in-lbs)



### 9" 360-SERIES ASSEMBLY DIAGRAM

A	3/8X1.5" Carriage Bolt	Place through bracket
B	3/8 Flat Washer	Place on carriage bolt
C	3/8 Lock Washer	Place on carriage bolt
D	3/8 Nut	Tighten light to bracket
E	M6 Ny Lock Nut	Place in Heatsink
F	M4 Ny Lock Nut	Place into mounting bushing
G	Mounting Bushing	Slide into Heatsink
H	M6 Flat Washer	Place on J prior to install
I	M4 Flat Washer	Place on K prior to install
J	M6x22mm Socket Head	Tighten bracket to the light (Torque 32in-lbs)
K	M4x22mm Socket Head	Tighten the bracket to the light (Torque 9in-lbs)

