

## ***advanced FLOW engineering***

**D.A.S.+ (Dynamic Air Scoop with OER Air filter)**

**Instruction Manual P/N: 55-11001D**

---

Make: FORD	Model: F-150	Year: 2021-2023	Engine: V6-2.7L(tt)
Make: FORD	Model: F-150	Year: 2021-2021	Engine: V6-3.0L(td)
Make: FORD	Model: F-150	Year: 2021-2023	Engine: V6-3.3L
Make: FORD	Model: F-150	Year: 2021-2023	Engine: V6-3.5L(tt)
Make: FORD	Model: F-150 Raptor	Year: 2021-2023	Engine: V6-3.5L(tt)
Make: FORD	Model: F-150	Year: 2021-2023	Engine: V8-5.0L

**(Does not fit F-150 Equipped with the V6-3.5L(tt) PowerBoost™)**



- Please read the entire instruction manual before proceeding.
- Ensure all components listed are present.
- For technical support please call 951-493-7185.
- Ensure you have all necessary tools before proceeding.
- Do not attempt to work on your vehicle when the engine is hot.
- Retain factory parts for future use.

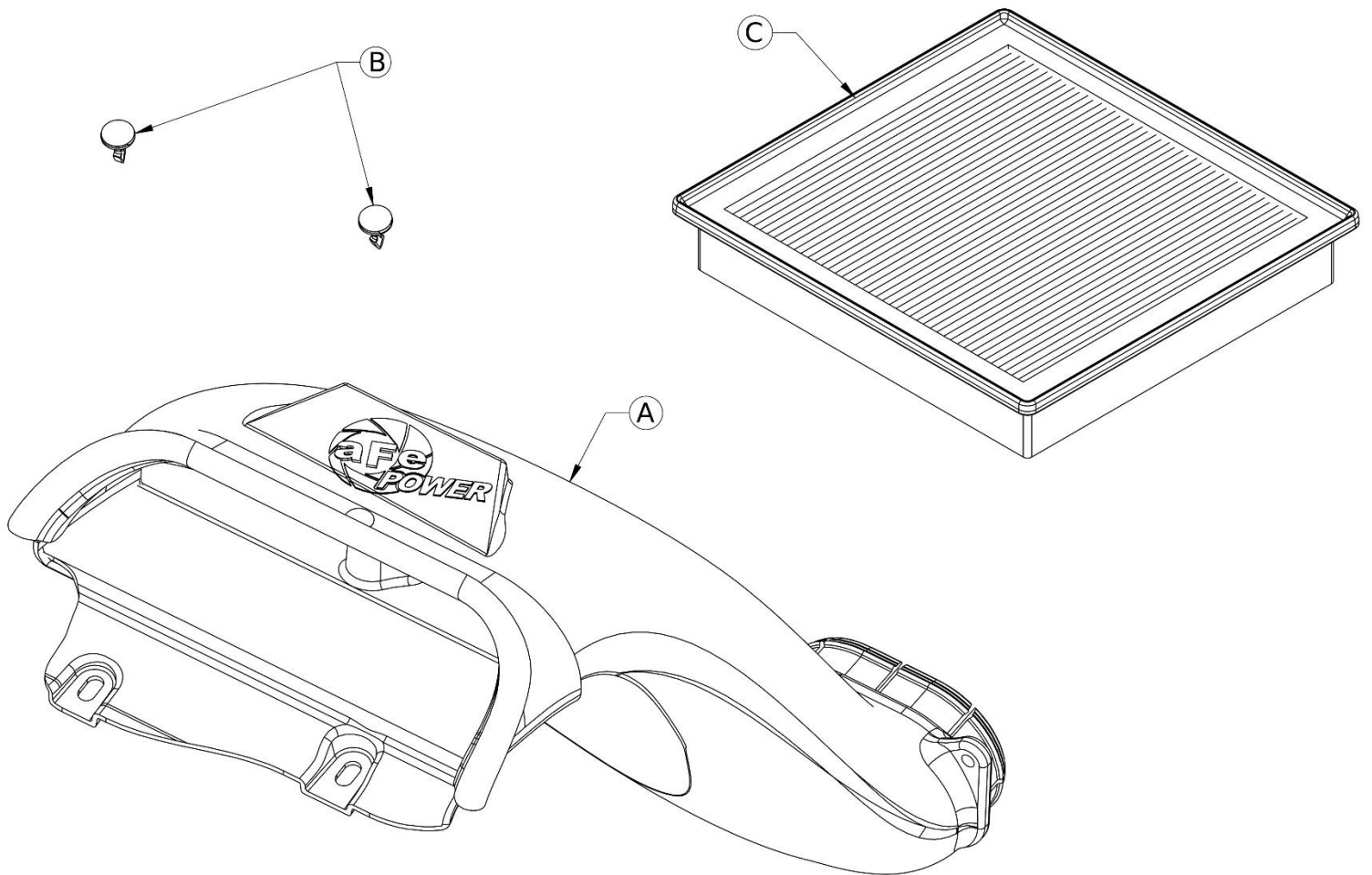
Label	Qty.	Description	Part Number
A	1	Scoop, Plastic (Black)	05-5210010B3
B	2	Retainer Clip, Christmas Tree Style	03-50773
C	1	OER Air Filter, PDS	31-10162

**Installation will require the following tools:**

8mm & 13mm nut driver and extension, Panel clip remover.

Warranty Information available at <https://afepower.com/contact#warranty>

**Emissions Disclaimer:** This product is not currently CARB exempt and is not available for purchase in California or for use on any vehicle registered with the California Department of Motor Vehicles.



**Figure A****Refer to Figure A for Steps 1-3**

This aFe POWER scoop is designed to work with the aFe POWER Quantum air intake kits, the aFe POWER Rapid Induction air intake kits, and the factory air intake system.

**NOTE: This aFe POWER scoop does NOT fit the aFe POWER Momentum intake system or the aFe POWER Magnum Force intake system.**

Step 1: Using the panel clip remover, remove the 2 retaining clips (1) and the 2 back wire harness clips (2).

Step 2: Use an 8mm nut driver to loosen the hose clamp (3) on the top of the factory air intake. Disconnect the factory intake tube.

Step 3: Use a 13mm nut driver to remove the screw (4) holding the factory air intake. Carefully pull up and remove the factory air intake.

**Figure B****Refer to Figure B for Step 4-5**

Step 4: Remove the screw (5) securing the factory scoop to the factory air intake housing using an 8mm nut driver, then pull the factory scoop out of the factory air intake housing.

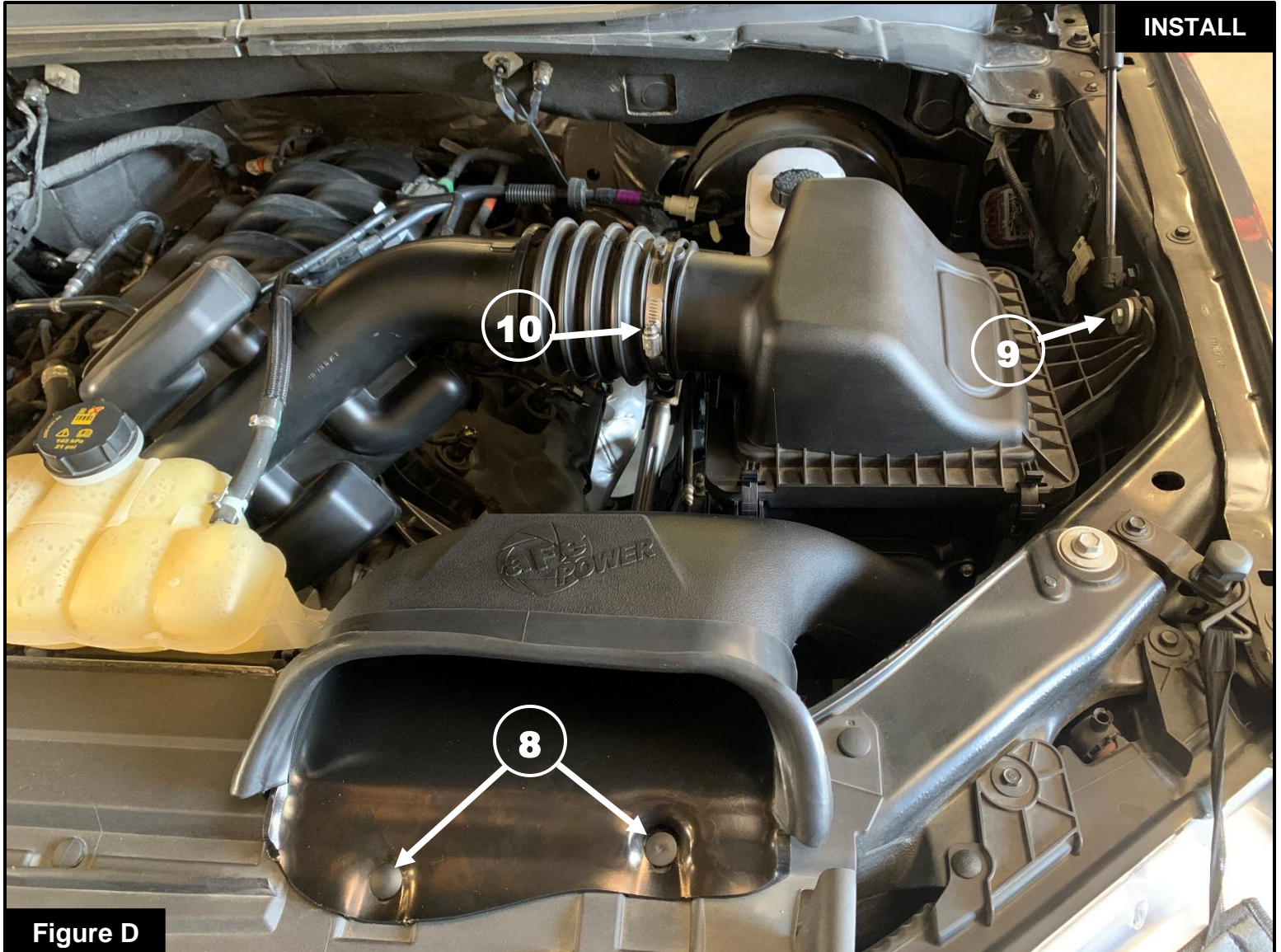
Step 5: Remove the factory air intake cover by releasing the clips (6) located on the front of the factory air intake. Remove the factory filter and install the aFe POWER OER filter. Close the factory air intake cover after installing new aFe POWER OER filter.



Figure C

**Refer to Figure C for Step 6**

Step 6: Press the aFe POWER scoop into the factory air intake housing. Secure the scoop using the screw ⑦ removed in Step 4.



### **Refer to Figure D for Steps 7-10**

Step 7: Reinstall the factory air intake and aFe POWER scoop assembly into the vehicle. Secure the aFe POWER scoop using the 2 provided plastic retainer clips (8).

Step 8: Secure the factory air intake using the screw (9) removed in Step 3.

Step 9: Connect the factory air intake tube and tightened the hose clamp (10). Reinstall the 2 wire harness clips in the back of the factory air intake.

Step 10: The installation of the aFe POWER scoop and aFe POWER OER filter is complete. Thanks for choosing aFe POWER.



***advanced FLOW engineering, Inc.***

252 Granite Street Corona, CA 92879

<https://afepower.com/contact>