

advanced FLOW engineering Rapid Induction Cold Air Intake System

Instruction Manual P/N: 52-10003D / 52-10003R

Make: Ford
Make: Ford

Model: Edge ST
Model: Edge Sport

Year: 2019-2020
Year: 2015-2018

Engine: V6-2.7L(tt)
Engine: V6-2.7L(tt)



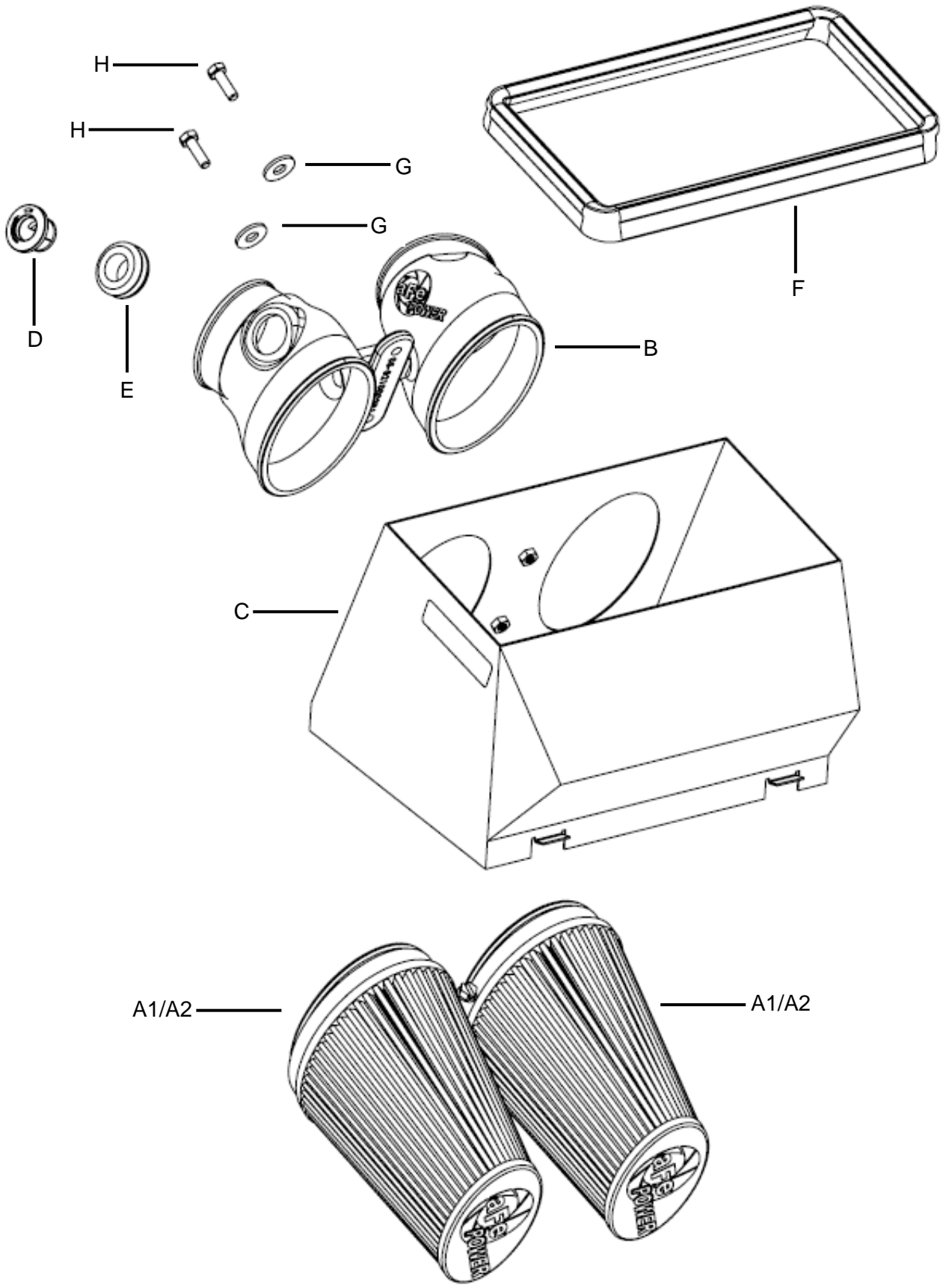
- Please read the entire instruction manual before proceeding.
- Ensure all components listed are present.
- If you are missing any of the components, call customer support at 951-493-7100.
- Ensure you have all necessary tools before proceeding.
- Do not attempt to work on your vehicle when the engine is hot.
- Retain factory parts for future use.

Label	Qty.	Description	Part Number
A1	1	Air Filter (Pro 5R)	R24-90054
A2	1	Air Filter (Pro DRY S)	R21-90054
B	1	Tube	05-5210003B1
C	1	Housing	05-5210003B2
D	1	Adaptor, Air Temp Sensor	05-01454
E	1	Grommet, Rubber	03-50167
F	1	Seal Trim (length 32")	05-00072
G	2	Washer, Flat: M6	03-50070
H	2	Screw, Hex Hd: M6x1x16	03-50052

Installation will require the following tools:

7mm, 8mm, and 10mm nut drivers.

Emissions Disclaimer: This product is not currently CARB exempt and is not available for purchase in California or for use on any vehicle registered with the California Department of Motor Vehicles.



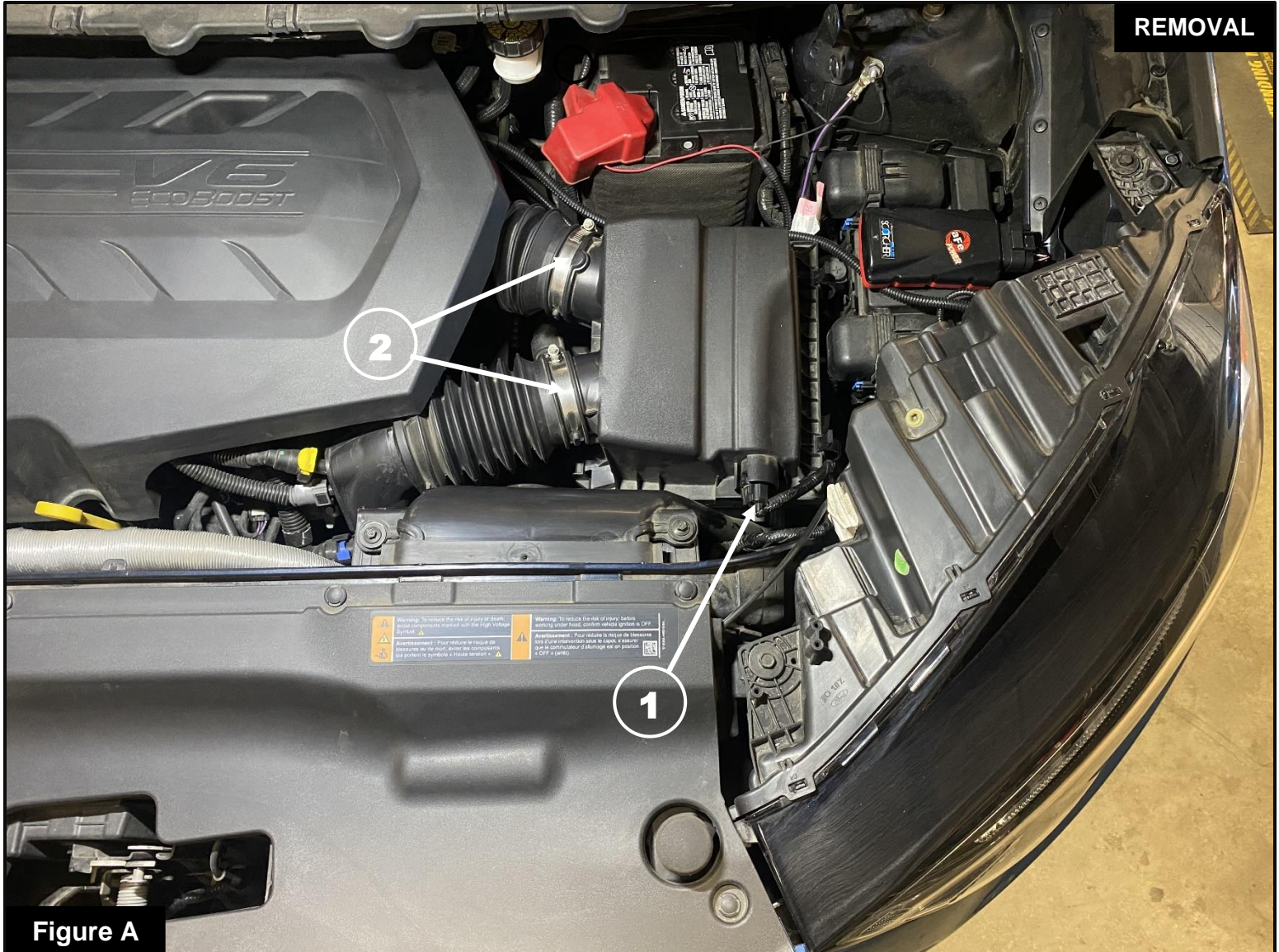


Figure A

Refer to Figure A for Steps 1-2

Step 1: Disconnect the air temperature sensor (1).

Step 2: Using a 7mm nut driver, loosen the clamps (2) attaching the factory intake tubes to the factory upper housing. Disconnect the factory intake tubes from the factory upper housing.

**Figure B****Refer to Figure B for Step 3**

Step 3: Release the 2 clamps (3) on the factory housing and remove the factory upper housing along with the factory air filter.

**Figure C****Refer to Figure C for Steps 4-5**

Step 4: Place the aFe POWER air filters with clamps in the aFe POWER housing as shown in the bottom right figure and then insert the aFe POWER intake tube into the air filters.

Step 5: Using an 8mm nut driver, tighten the air filter clamps (4).

**Figure D****Refer to Figure D for Steps 6-7**

Step 6: Using a 10mm nut driver, install the supplied M6 screws and washers (5), securing the aFe POWER intake tube to the aFe POWER housing.

Step 7: Install the rubber grommet and air temp sensor fitting (6) onto your aFe POWER intake tube as shown.

***NOTE:** Use a dab of oil or dish soap on the air temp sensor fitting to help install into rubber grommet.



Refer to Figure E for Step 8

Step 8: Install the aFe POWER air filter and housing assembly by sliding in the 2 tabs beneath the intake tubes into the factory lower housing. Secure the aFe POWER housing with the 2 spring clips (7) from step 5.



Figure F

Warning: To reduce the risk of injury or death, avoid components marked with the High Voltage Symbol.

Warning: To reduce the risk of injury, before working under hood, confirm vehicle ignition is OFF.

Avvertimento: Per ridurre il rischio di lesioni, prima di lavorare sotto il cofano, verificare che l'ignizione sia spenta.

Refer to Figure F for Steps 9-10

Step 9: Remove the air intake temperature sensor (8) from the factory housing.

Step 10: Install the air intake temperature sensor (9) removed in step 9 onto the aFe POWER intake tube.

**Figure G**

Warning: To reduce the risk of injury or death, avoid components marked with the High Voltage Symbol.
 Avertissement: Pour réduire le risque de blessures lors d'une intervention sous le capot, assurez-vous que le moteur est éteint.

Refer to Figure G for Steps 11-12

Step 11: Using a 7mm nut driver, re-connect the factory intake tubes that were disconnected in step 2.

Step 12: Plug in the air temperature sensor **10**.



Figure H

Refer to Figure H for Steps 13-14

Step 13: Install the supplied seal trim along the top edge of your aFe POWER filter housing, cutting slots if necessary, to help with the bend angles (11).

Step 14: Check that all clamps are tight and connections are secure. Your installation is now complete.

Thank you for choosing aFe POWER!

NOTE: Check all screws, clamps, and connectors are secure after 100-200 miles.



Page Left Blank Intentionally



Page Left Blank Intentionally

Pro DRY S Air Filter



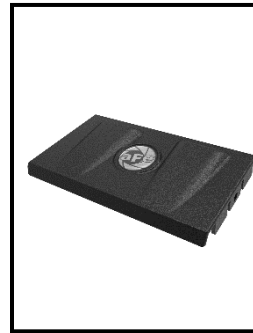
P/N: 21-90054

Pro 5R Air Filter



P/N: 24-90054

Rapid Induction Cover



P/N: 52-10003C (Blk)
52-10003CL (Clear)

SCORCHER GT Power Module



P/N: 77-43017

Pro DRY S Restore Kit



P/N: 90-59999

Blue Squeeze Restore Kit



P/N: 90-50501

SCORCHER BLUE Power Module



P/N: 77-83017

Sprint Booster V3



P/N: 77-13001

aFe POWER Tactical Backpack



P/N: 40-33205-B

Stainless Steel Water Bottle



P/N: 40-10231

Magnetic Folding Flashlight



P/N: 40-10229

Mini Bluetooth Speaker



P/N: 40-10232



To purchase any of the items above, view airflow charts, dyno graphs, photos, and video; please go to aFepower.com.

Warranty

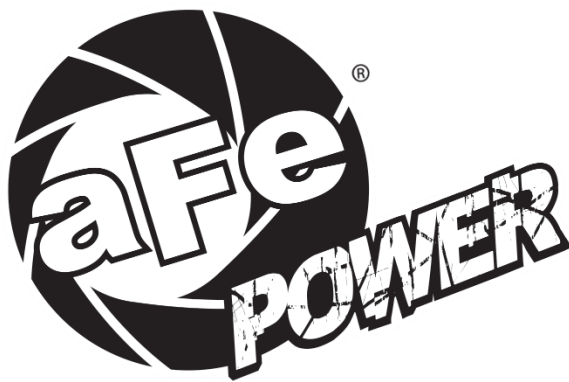
General Terms:

- aFe warrants their products to be free from manufacturer’s defects due to workmanship and material.
- This warranty applies only to the original purchaser of the product and is non-transferrable.
- Proof of purchase of the aFe product is required for all warranty claims.
- Warranty is valid provided aFe instructions for installation and/or cleaning were properly followed.
- Proper maintenance with regular inspections of product is required to insure warranty coverage.
- Damage due to improper installation, abuse, unauthorized repair or alteration is not warranted.
- Incidental or consequential damages or cost, including installation and removal of part, incurred due to failure of aFe product is not covered under this warranty.
- All warranty is limited to the repair and/or replacement of the aFe part. To request Return Goods Authorization (“RGA”), email RGA@aFepower.com or call (951)493-7100. Upon receipt of the RGA, you must return the product to the address provided in the RGA, freight prepaid and accompanied with a dated proof of purchase and the RGA. Upon receipt of the defective product and upon verification of proof of purchase, aFe will either repair or replace the defective product within a reasonable time, not to exceed thirty days.

Product Category	P/N Prefix	Warranty duration
Direct OE Replacement Filters	10, 11, 30, 31, 71, 73	Life of the vehicle
Racing Filters	18	1 year
Universal	20, 21, 23, 24, 72, TF	2 years
Air Intake Systems	50, 51, 53, 54, 55, 56, 57, 58, 75, TR, TA, TL, TM	2 years
Exhaust Systems	49	2 years
Intercoolers & Intercooler Tubes	46-2	2 years
Intake Manifolds	46-1	2 years
Differential Cover	46-7	Life of the vehicle
Exhaust Manifolds	46	2 years
Throttle Body Spacers	46-3	2 years
Turbochargers	46-6	2 years*
Fluid Filters	44	90 days
Pre-Filters	28	2 years
Heavy Duty OE Replacement	70	2 years
PowerSports OE Replacement	81, 87	2 years
PowerSports Intake Systems	85	2 years

No other warranty expressed or implied applies nor is any person or advanced FLOW engineering authorized to assume any other warranty. Some States do not allow the exclusion or limitation of incidental or consequential damages or do not allow limitations on how long an implied warranty lasts, so the above limitations or exclusions may not apply to you. This warranty gives you specific legal rights, and you may also have other rights which vary from State to State.

*See turbocharger warranty for more info



advanced FLOW engineering, inc.

252 Granite Street Corona, CA 92879
TEL: 951.493.7100 • TECH: 951.493.7185
E-Mail: Tech@aFepower.com

P/N: 06-81415