

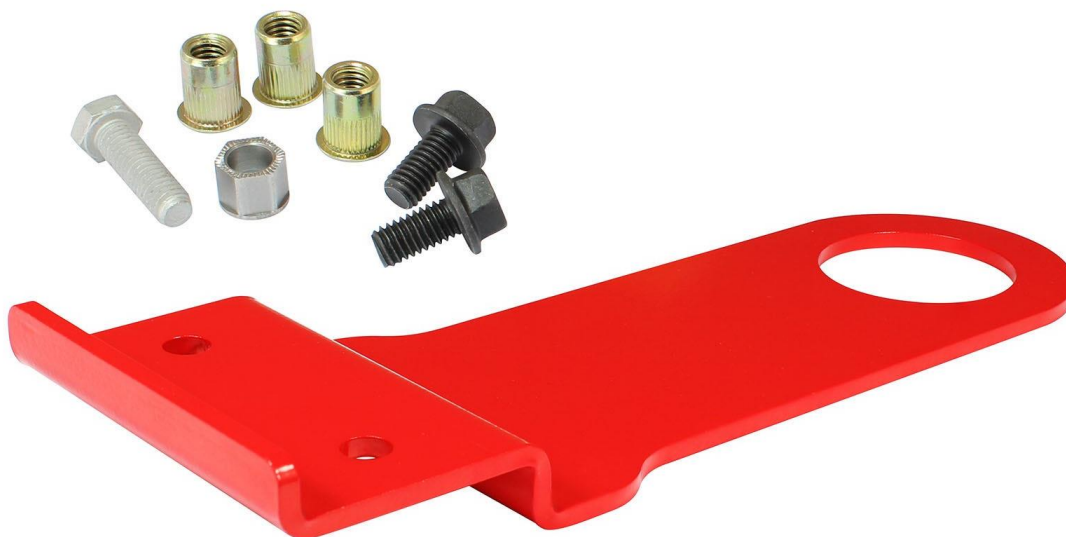
aFe Control

PFADT Series Front Tow Hook

05-13 Chevrolet C6 Corvette

Product Number: 450-401005-R

Install Time: 2 hrs.



Full Kit Contents	Front & Rear Sway Bar Set	Qty.
00P-0P1081-R	Hook, Tow: C6 Front (Red)	1
00P-0C1021-A	Nut, Rivet: 3/8-16, Zn Pl Open	2
00P-0C1022-A	Screw, Flg Hd Cap: 3/8-16x0.75, Gr8	2
00P-0A1202-A	S/A Tool: Rivet Nut Installation	1

Front Procedure:

1. Remove front bumper, see Factory Service Manual
2. Test fit tow hook.
 - a. Tow hook should dip down
 - b. Place plate with holes against bottom of frame
 - c. Push tow hook forward until back stop is firmly against frame
 - d. Now slide tow hook to the side until the back stop touches the side rail
 - e. Tow hook can be installed on either the passenger or driver side
 - f. Driver side installation is easier because of less obstructions
 - g. See fig 1, fig 2 and fig 4

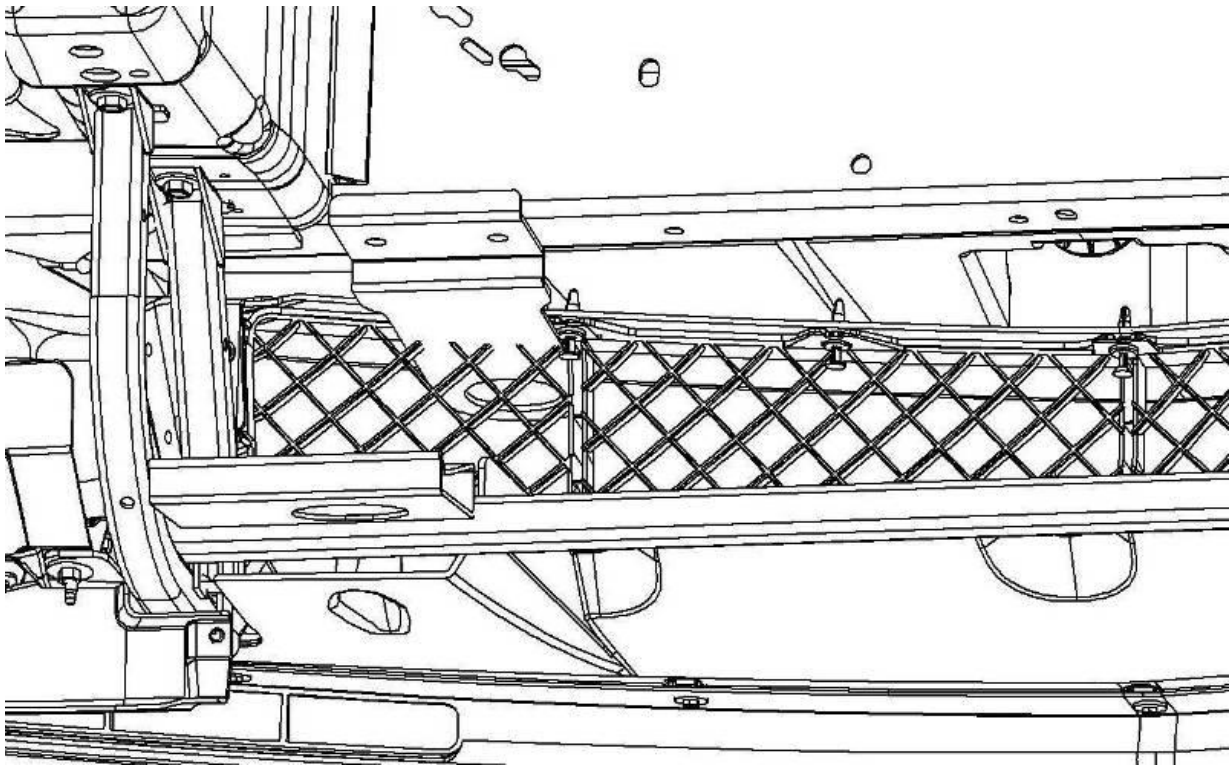


Figure 1: Looking from engine bay showing tow hook location

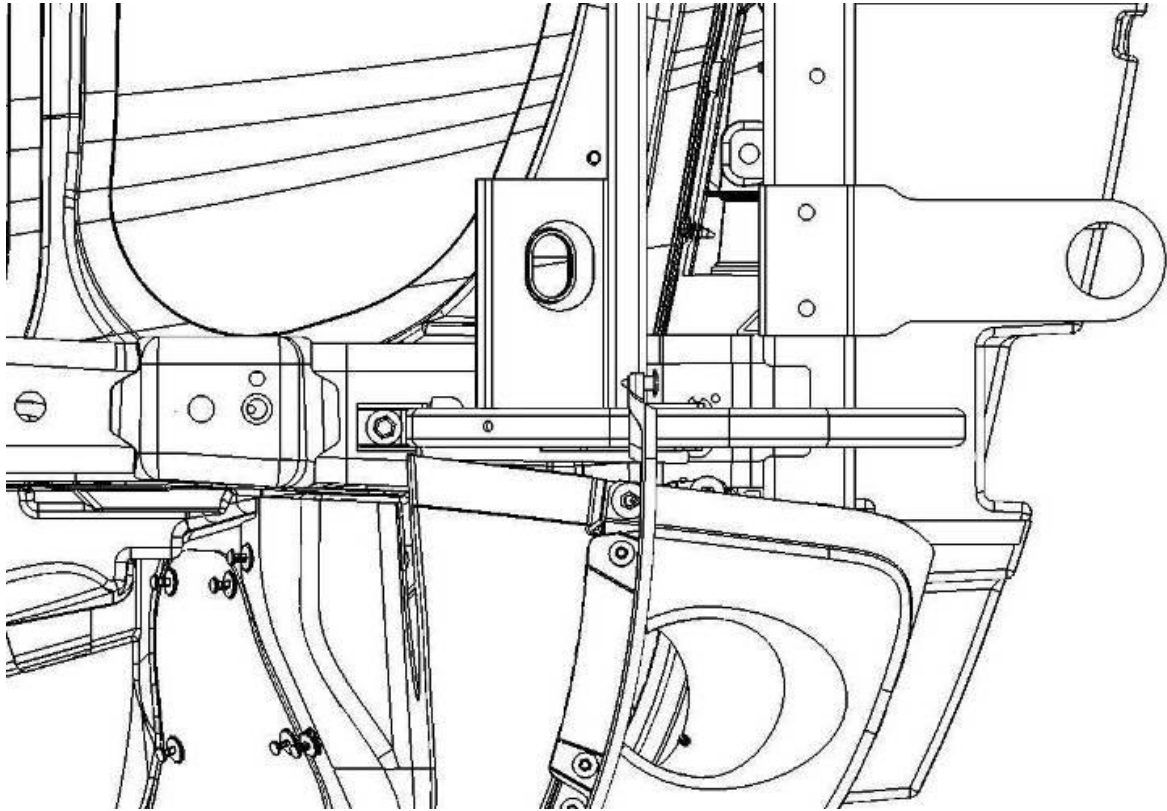


Figure 2: Looking from under the car showing tow hook location

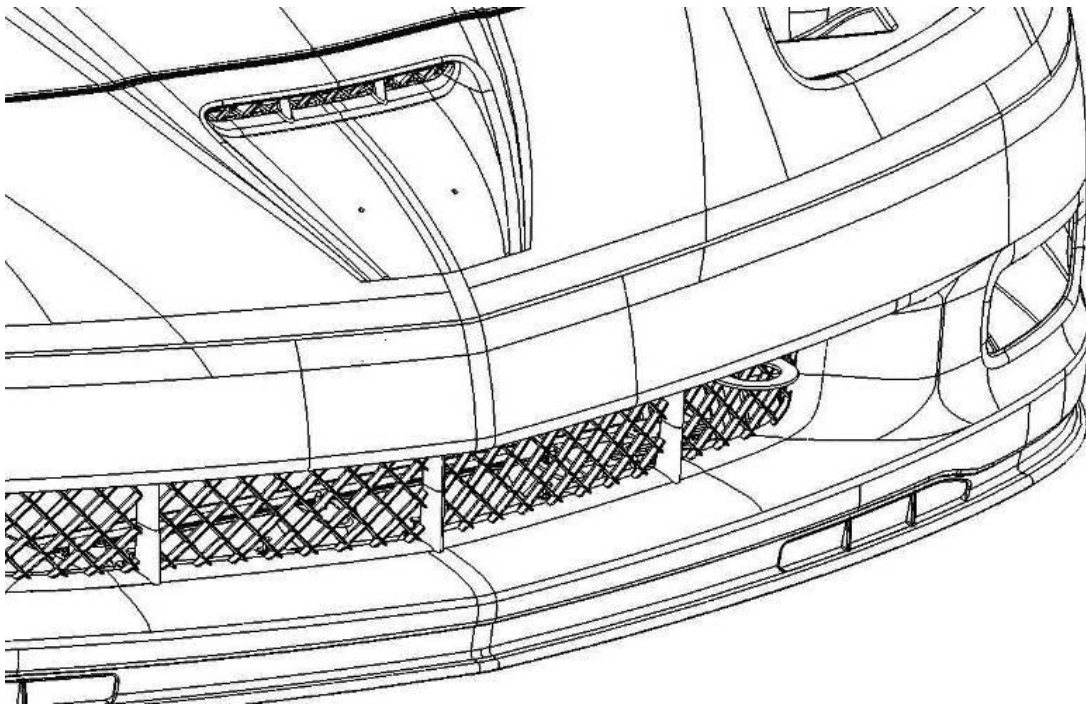


Figure 4: Completed installation

3. When tow hook is in place, mark holes for drilling.
4. Center punch and drill hole locations with 3/64" drill bit.
5. Install rivet nuts with included instructions and installation tool.
6. Test fit tow hook to ensure proper rivet nut locations.
7. Remove tow hook.
8. Mark and cut grill, See fig 3. Figure shows both Driver and Passenger cut locations.

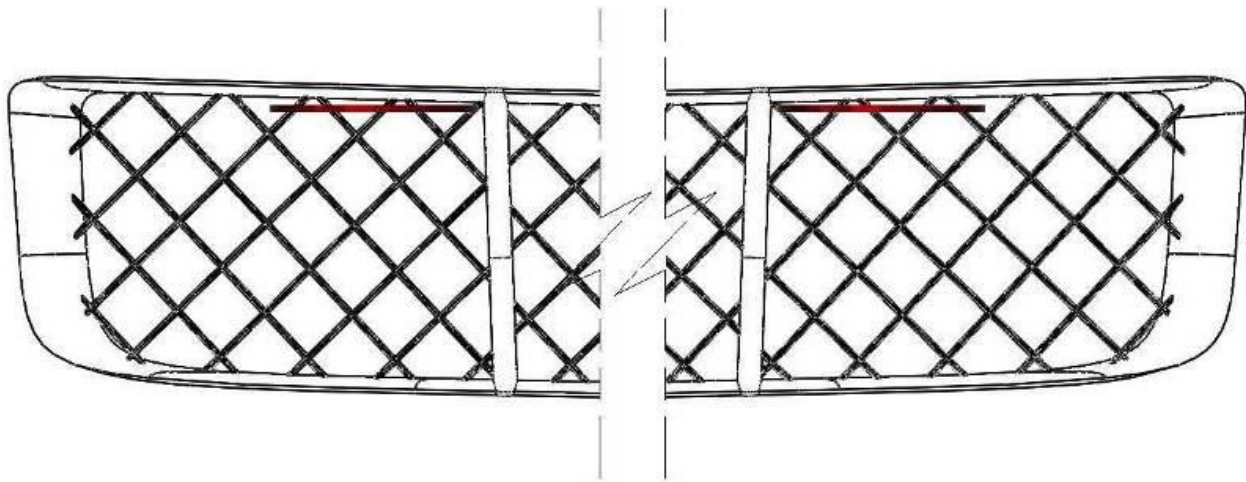


Figure 3: Grill trim guide.

9. Replace the front bumper, see Factory Service Manual.
 - a. do not install lower panels under the bumper
10. Make final installation of the tow hook through the grill.
11. Reinstall remaining lower panels, see Factory **Service Manual**.